

## Product Information

OTTO 1 is a portable table lamp suitable to recreate the perfect atmosphere in every ambience. OTTO 1 table lamp is battery powered, rechargeable through its power adapter through the mains power supply (100 - 240 V AC, 50/60Hz); 8 hours at maximum intensity. It is possible to switch it ON/OFF and DIMM through a push button. Suitable for outdoor and indoor, both for yachts and for residential environments. Power led technology in warm white (3000k).

### Dimensions OTTO 1/S

158 mm / 6.22 in (height dimension)  
 Ø156 mm / 6.14 in (head dimension)  
 128 mm / 5.04 in (base dimension)

### Net Weight:

4,600 Kg. / 101,4 Lbs. (\*)

### Dimensions OTTO 1/M

232 mm / 9.13 in (height dimension)  
 Ø156 mm / 6.14 in (head dimension)  
 128 mm / 5.04 in (base dimension)

### Net Weight:

5,300Kg. /116,8Lbs. (\*)

### Dimensions OTTO 1/B

308 mm / 12.13 in (height dimension)  
 Ø156 mm / 6.14 in (head dimension)  
 128 mm / 5.04 in (base dimension)

### Net Weight:

5,900Kg. /130,1 Lbs. (\*)

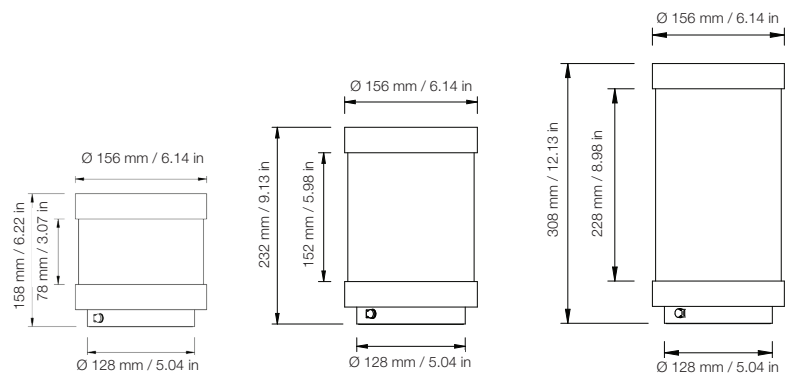
(\*)FIXING PLATE + 0.350Kg./77,2Lbs

### Materials:

Base/head: AISI 316L Stainless Steel  
 Diffuser: Borosilicate Glass Sandblasted



## Drawing



| MODEL CODE   | WATT | COLOUR TEMP. | CRI | POWER SUPPLY                          | BODY FINISHES |
|--|------|--------------|-----|---------------------------------------|---------------|
| 45OTTOS101D3SS<br>45OTTOS104D3SS (with fixing plate) |      |              |     | INTERNAL BATTERY +<br>BATTERY CHARGED | POLISHED      |
| 45OTTOS102D3SS<br>45OTTOS105D3SS (with fixing plate) | 6W   | 3000K        | 80  |                                       |               |
| 45OTTOS103D3SS<br>45OTTOS106D3SS (with fixing plate) |      |              |     |                                       |               |



SOLIDS & LIQUIDS  
PROTECTION RATING



FIRE  
PROTECTION



ELECTRICAL SHOCK  
CLASS PROTECTION



EUROPEAN  
CONFORMITY



ALSO SUITABLE  
FOR RESIDENTIAL

Note : Depending on the choice of finish, thickness of the product can vary up to 0,2 mm. Information provided with this document may be subject to change at any time without notice.